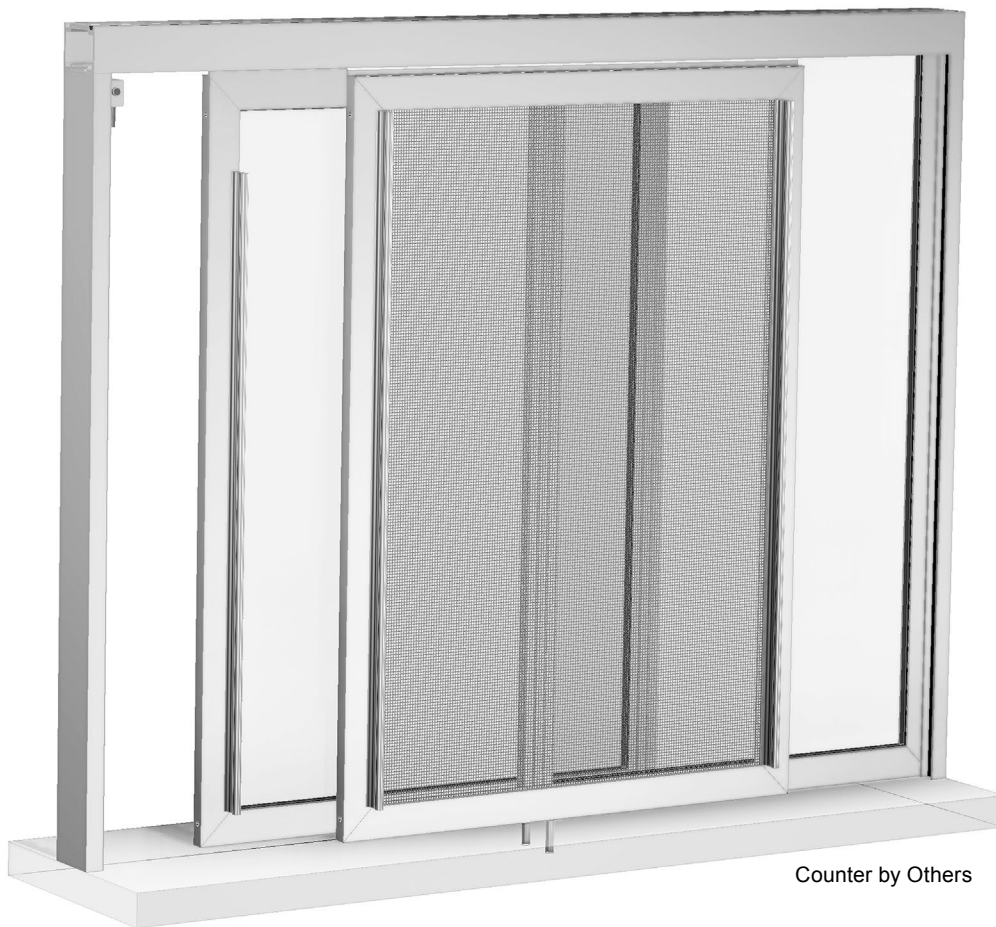


INSTALLATION INSTRUCTIONS

MODELS D1018 AND D1019 FLORENCE MODEL PASS-THRU WITH SCREEN



Counter by Others

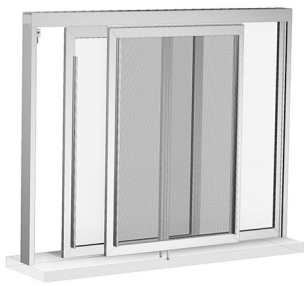

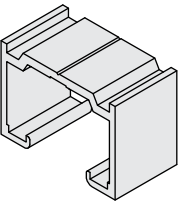

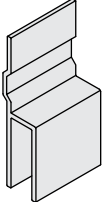
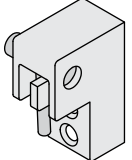
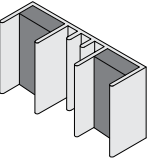
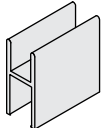
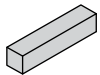
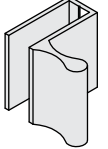
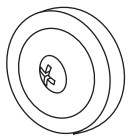
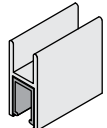
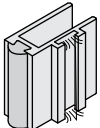
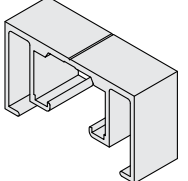
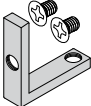
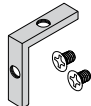
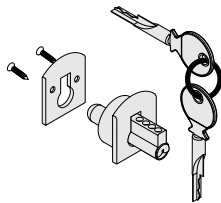



2503 E. Vernon Avenue, Los Angeles, CA 90058-1826
Phone: (800) 421-6144 Fax: (800) 262-3299
crlaurence.com Email: transaction@crlaurence.com

11M0226

PARTS LIST

NOTE: Counter by Others

<p>D1018</p>  <p>Florence with Screen and D7 Overhead Track</p>		<p>D1019</p>  <p>Florence with Screen and D1670 Overhead Track</p>	
<p>D7</p>  <p>Overhead Track</p>	<p>D35</p>  <p>Retractable Tip Lower Guide</p>	<p>D40</p>  <p>Clerk and Client Side Hanger</p>	<p>D53</p>  <p>Reversible Overhead Catch</p>
<p>D1606</p>  <p>Double Jamb with Cushions</p>	<p>D610</p>  <p>H-Bar</p>	<p>D637</p>  <p>H-Bar Attachment Trim</p>	<p>D639</p>  <p>Vertical Stile Pull</p>
<p>D679</p>  <p>Nylon Ball Bearing Roller</p>	<p>D1611</p>  <p>H-Bar with Plastic Liner</p>	<p>D1623</p>  <p>Overlap Stile with Pile</p>	<p>D1670</p>  <p>Oversized Overhead Track</p>
<p>D658WS</p>  <p>Lower Frame Corner with Nylok Screws</p>	<p>D662WS</p>  <p>Upper Frame Corner with Nylok Screws</p>	 <p>Optional Keyed Lock</p>	 <p>Not Included : Perimeter Fasteners, Bar Stock Fasteners</p>

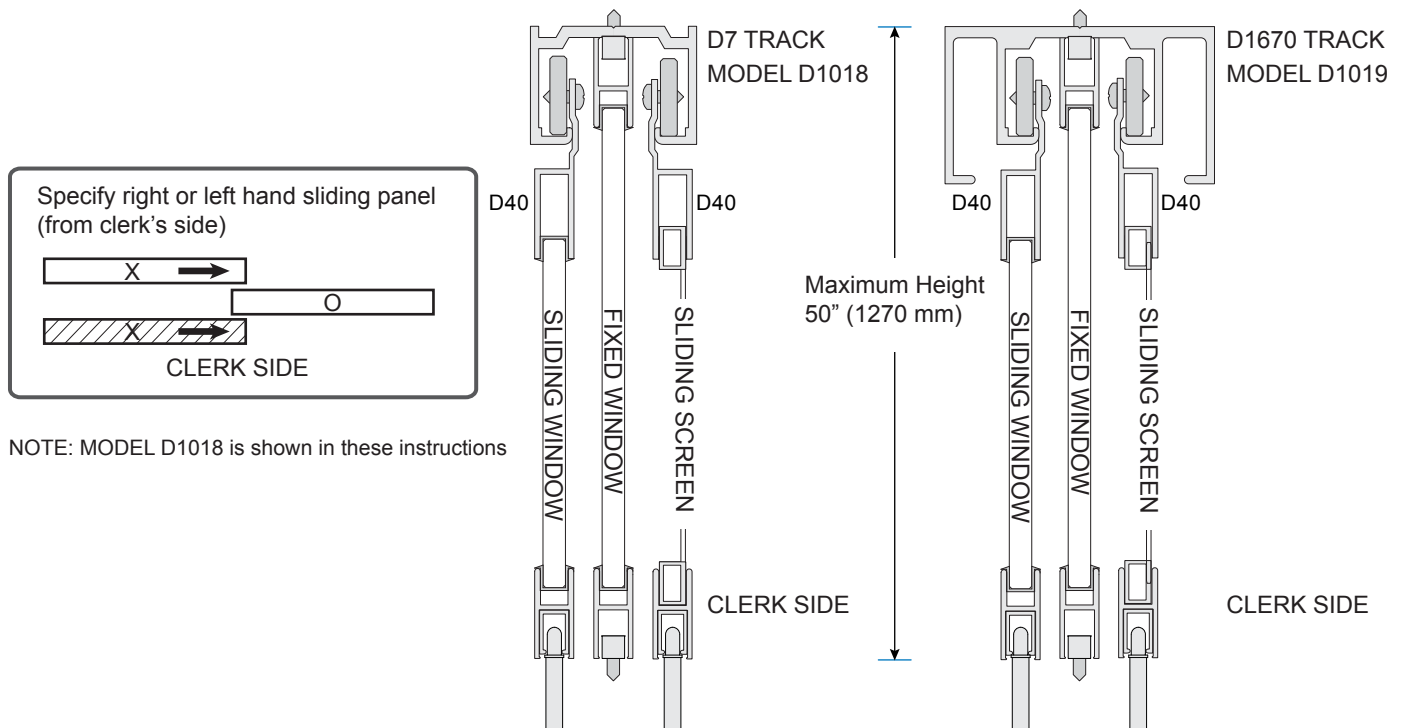
ORDER OF ASSEMBLY AND INSTALLATION

PARTS LIST	2
SPECIFICATIONS	3
GLASS FABRICATION	4
WINDOW ASSEMBLY	4 - 5
Install Gasket on Glass	4
Fit Glass in Bottom Rail	5
Loosely attach Top Rail to Side Rails	5
Square frames and secure	5
Install Gasket in D1623	5
SCREEN ASSEMBLY	6
INSTALLATION	7 - 10
Install Overhead Track	7
Hang Sliding Window and Sliding Screen	7
Install Retractable Guides	8
Install Jambs	8
Install Fixed Window	9
Install D53 Catch	10
OPTIONAL KEYED LOCK OPERATION	11

IMPORTANT: READ THIS MANUAL THOROUGHLY BEFORE BEGINNING INSTALLATION.

SPECIFICATIONS

NOTE: Model D1019 is designed to match storefront subframe.



GLASS FABRICATION

Fixed Glass Width = Window Width divided by 2 minus 1" (25 mm)

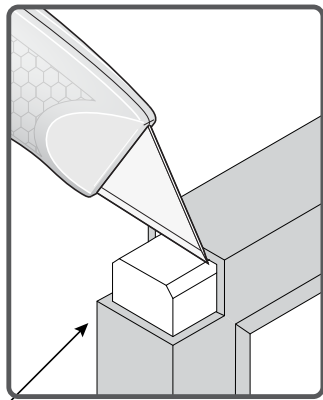
Fixed Glass Height = Window Height minus 1-11/16" (43 mm)

Sliding Glass Width = Window Width divided by 2 minus 1-1/4" (32 mm)

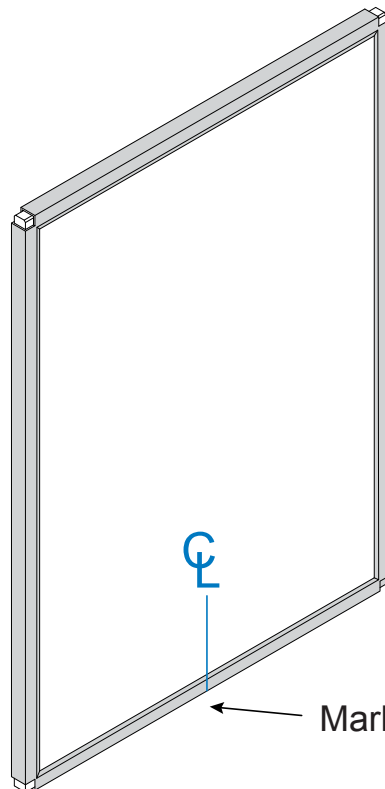
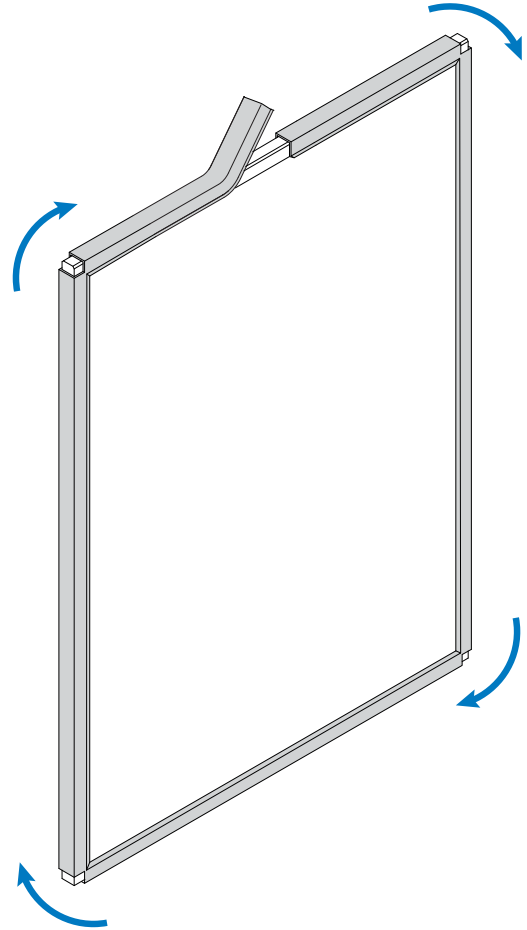
Sliding Glass Height = Window Height minus 3-3/16" (81 mm)

WINDOW ASSEMBLY

1. Install Gasket on Glass



Cut Gasket at Corners

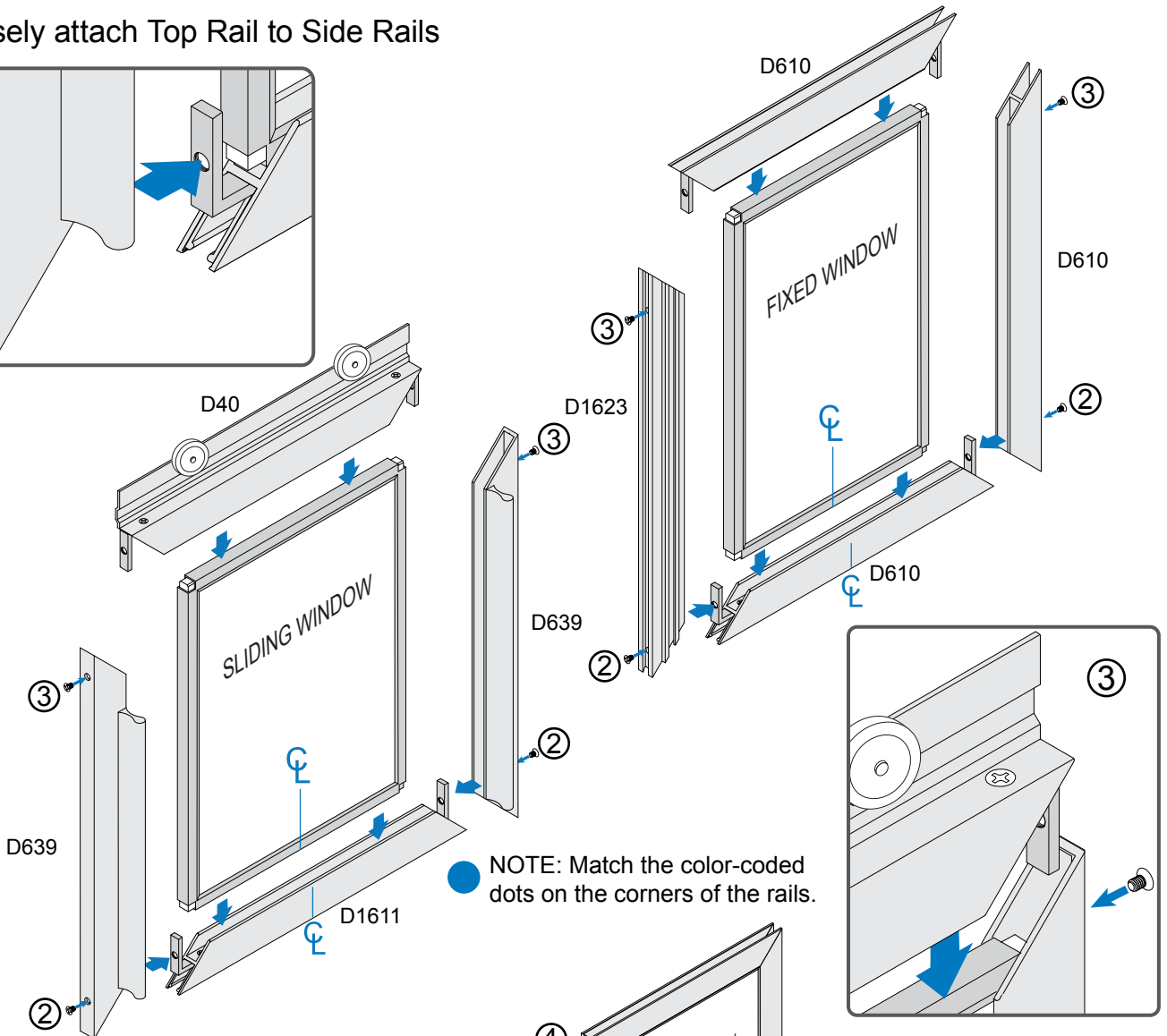
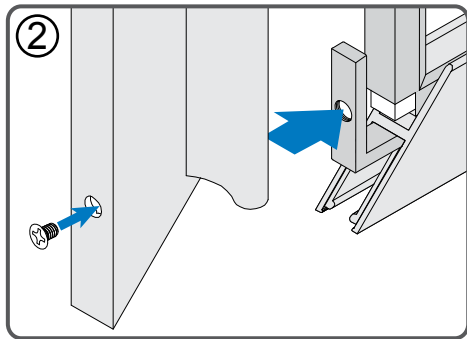


Mark Center of Each Panel

WINDOW ASSEMBLY (CONTINUED)

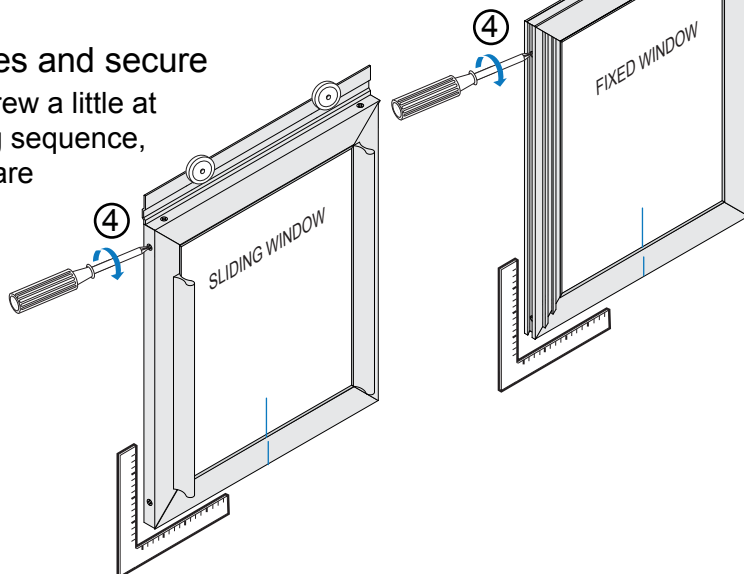
2. Fit Glass in Bottom Rail matching center marks and loosely attach Side Rails

3. Loosely attach Top Rail to Side Rails

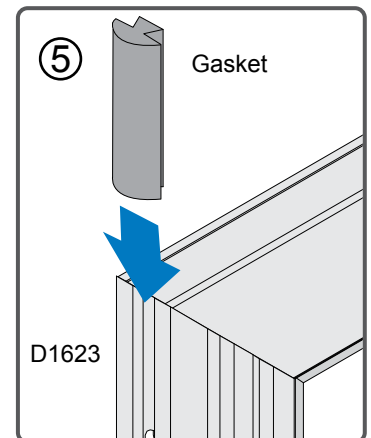


4. Square frames and secure

Tighten each screw a little at a time in rotating sequence, maintaining square condition.

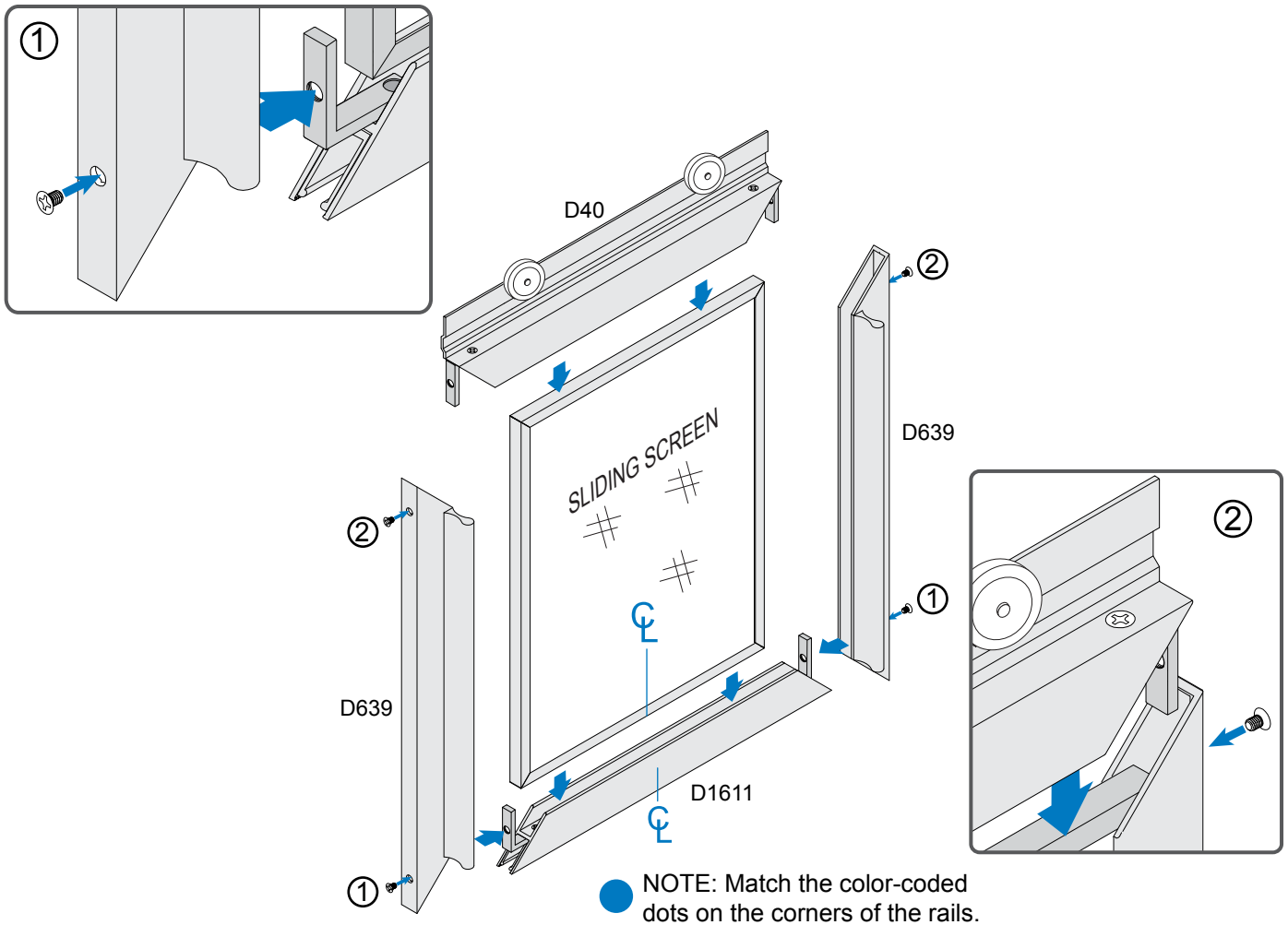


5. Install Gasket in D1623



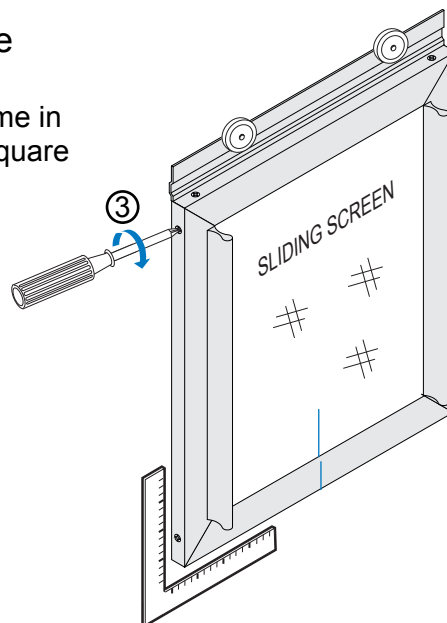
SCREEN ASSEMBLY

1. Fit Screen in Bottom Rail matching center marks and loosely attach Side Rails
2. Loosely attach Top Rail to Side Rails



3. Square frames and secure

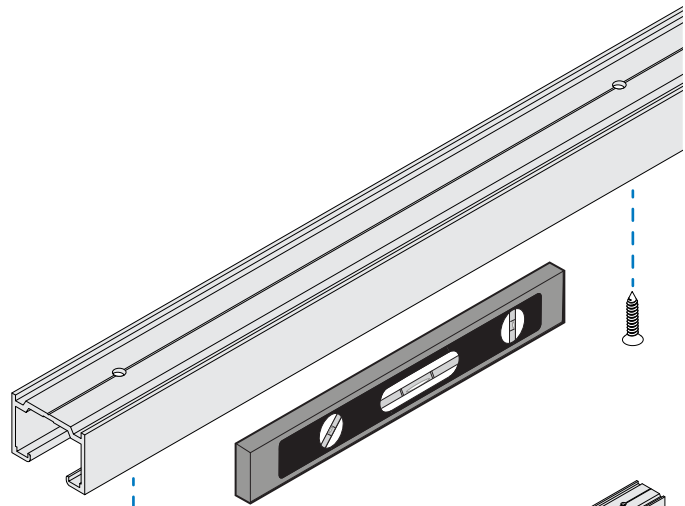
Tighten each screw a little at a time in rotating sequence, maintaining square condition.



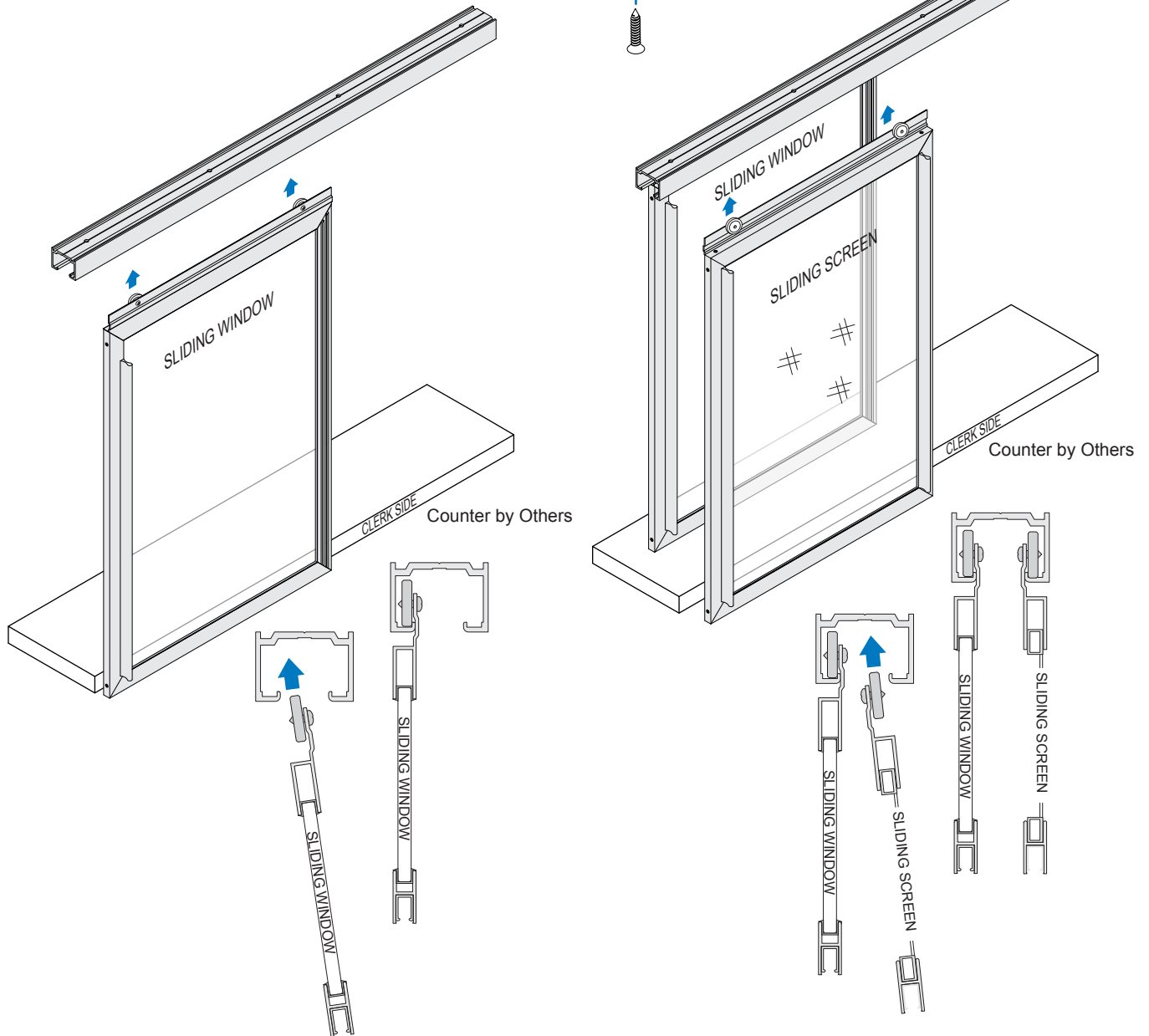
INSTALLATION

1. Install Overhead Track

NOTE: Use fasteners appropriate for the surrounding substrate.

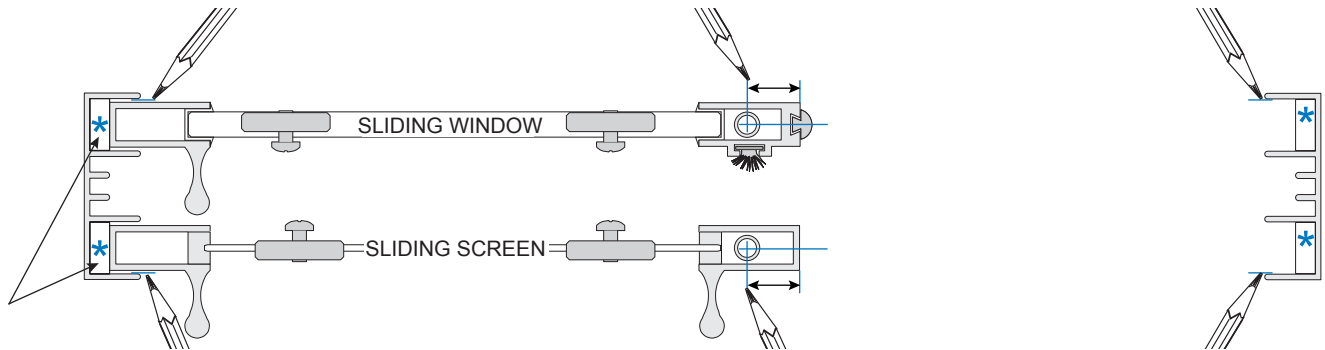


2. Hang Sliding Window and Sliding Screen



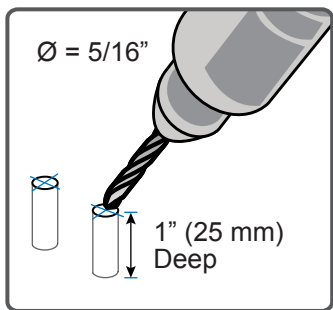
INSTALLATION (CONTINUED)

With the window in closed position, mark placement for the Jamb and Retractable Guide. Move the window to the open position to mark placement for the Jamb and Fixed Window. Remove the window to install.

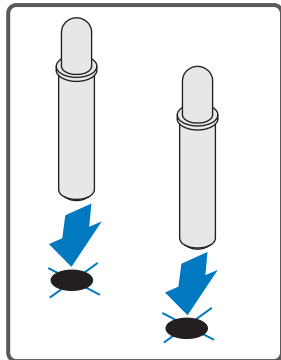


* Temporarily place Rubber Insert into Jamb to mark Guide placement.
Remove to install Jamb. Do Not remove backing until Jamb is secured.

3. Install Retractable Guides

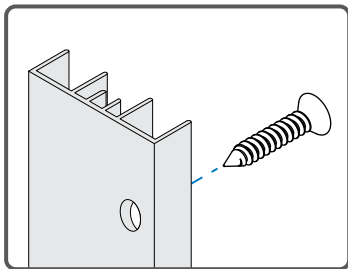


Drill 1" (25 mm) depth holes with 5/16" drill bit.

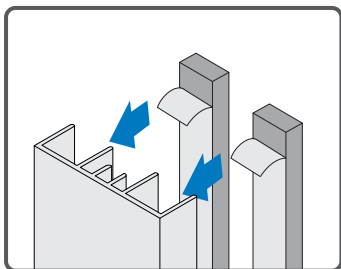


Insert Guides in holes.

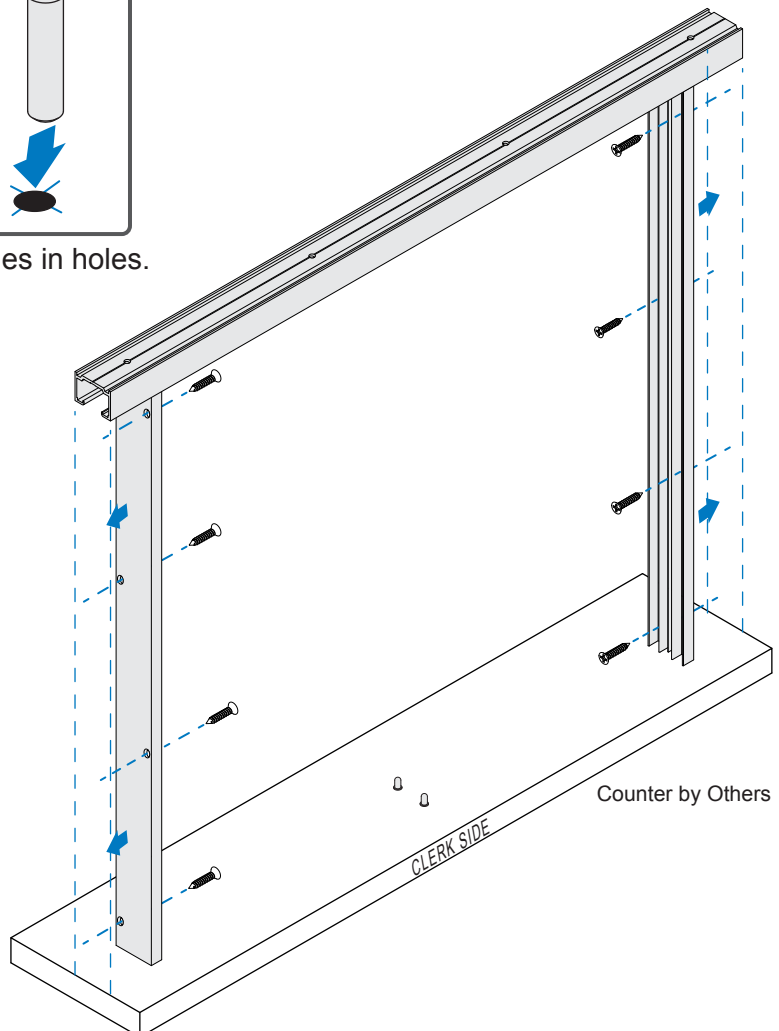
4. Install Jamb



Secure using fasteners appropriate for the surrounding substrate.

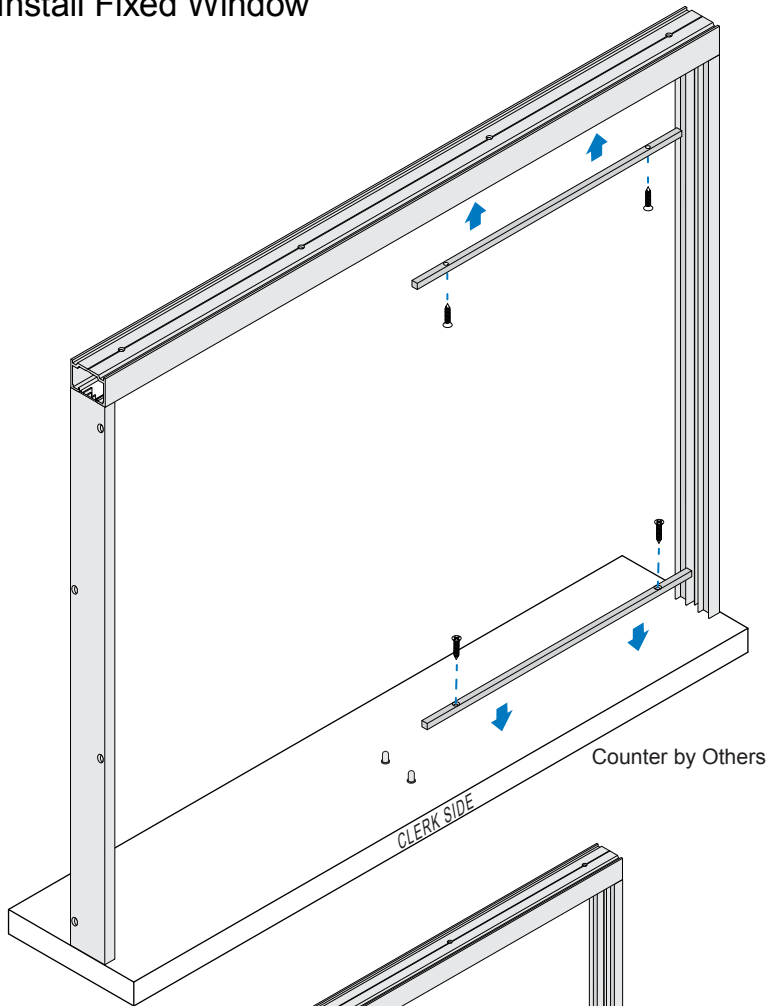


Remove backing and install rubber inserts.

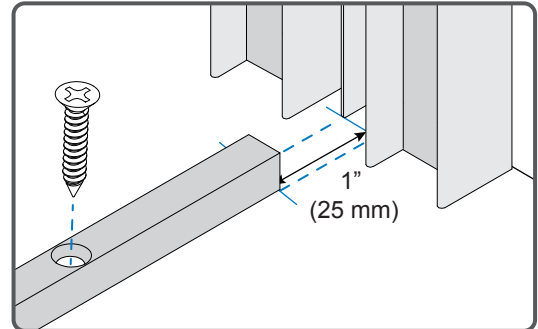


INSTALLATION (CONTINUED)

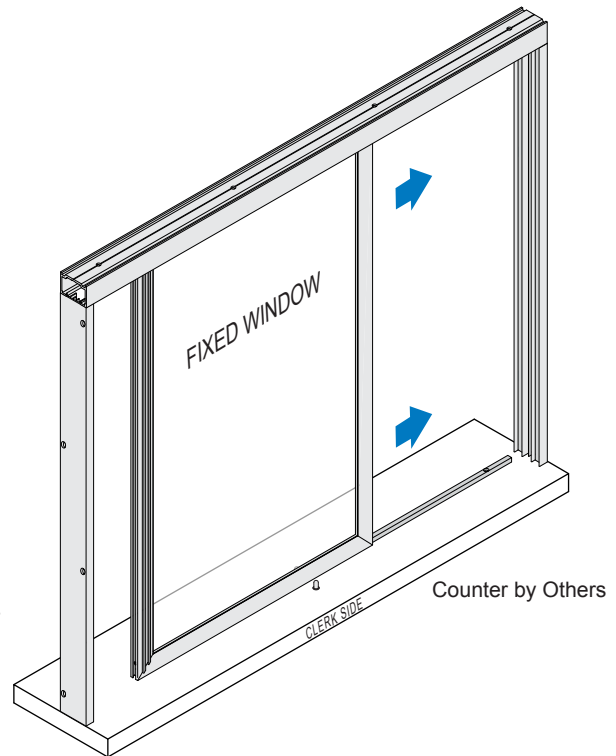
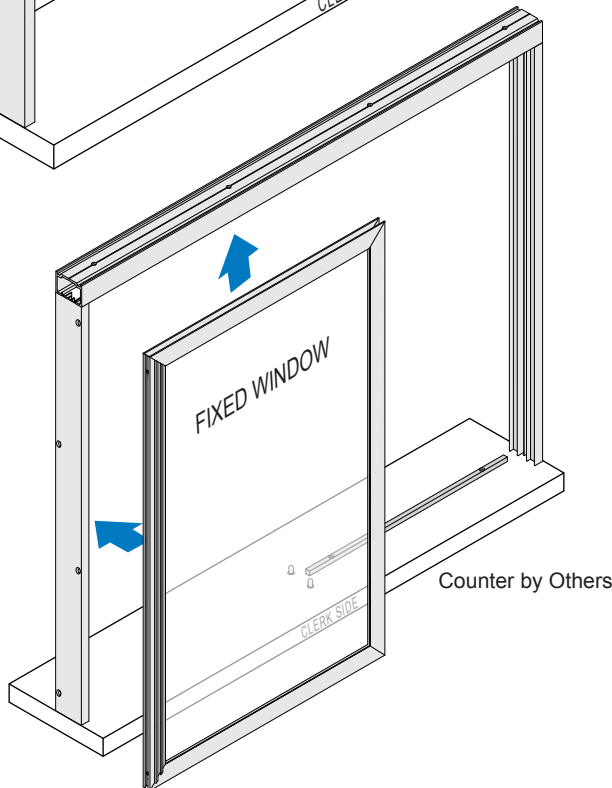
5. Install Fixed Window



Secure using fasteners appropriate for the surrounding substrate.



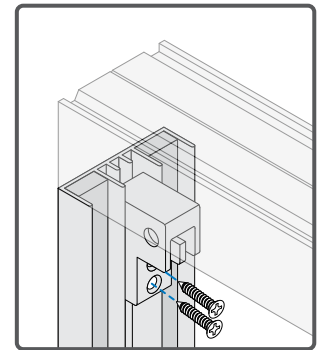
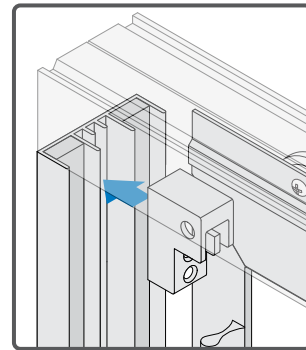
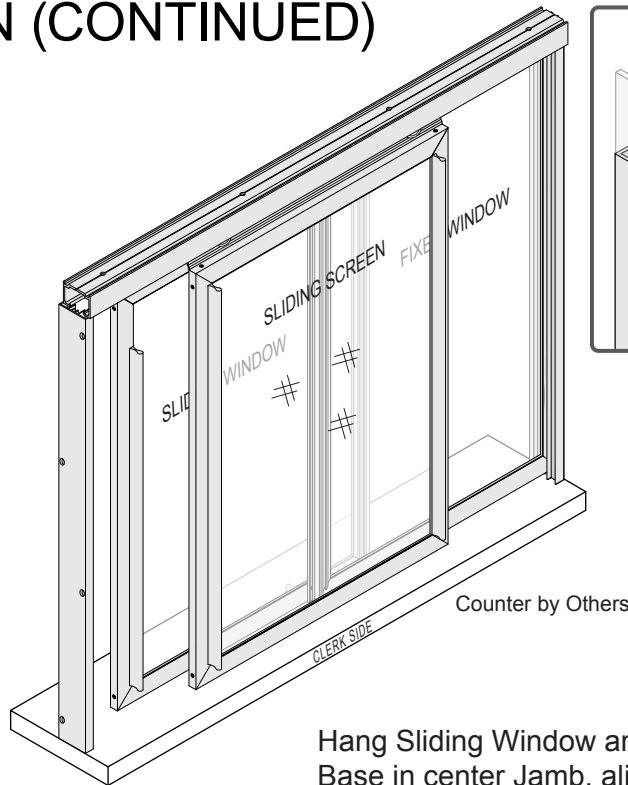
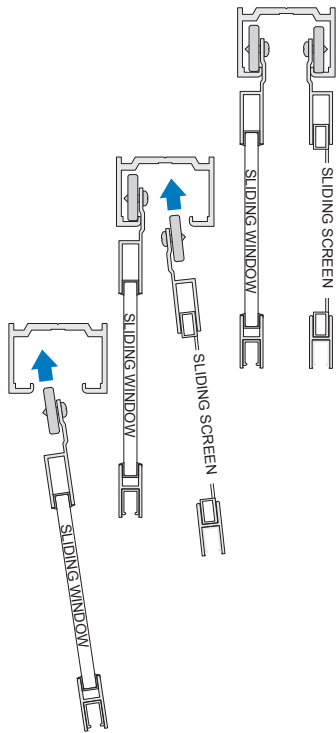
Install Bar Stock Guides in groove in Top Track and on counter directly below.



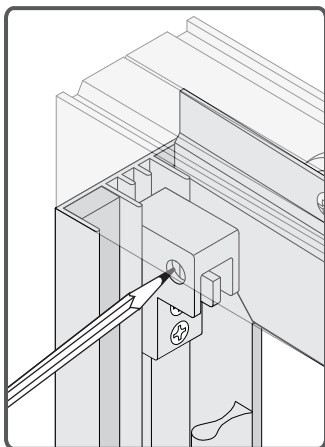
Fit Fixed Window into Track, aligning edges with Bar Stock Guides. Slide into place.
NOTE: If Fixed Panel is too loose, apply silicone sealant to top of lower Bar Stock.

INSTALLATION (CONTINUED)

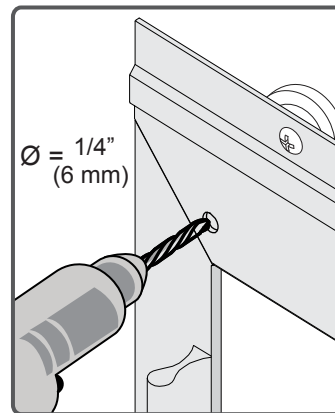
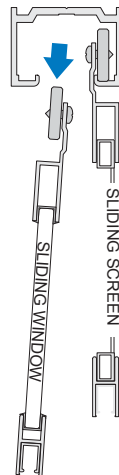
6. Install D53 Catch



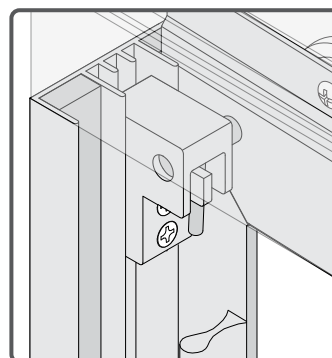
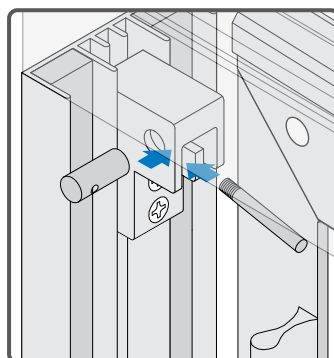
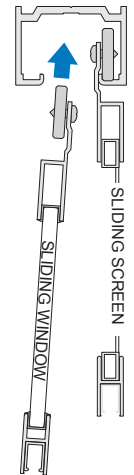
Hang Sliding Window and Screen. Install D53 Catch Base in center Jamb, aligned with top of Sliding Window.



Close window and mark.

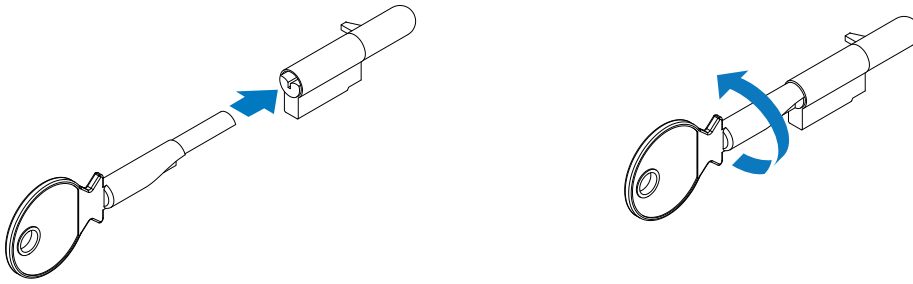


Remove window to drill 1/4" (6 mm) hole, and then reinstall.

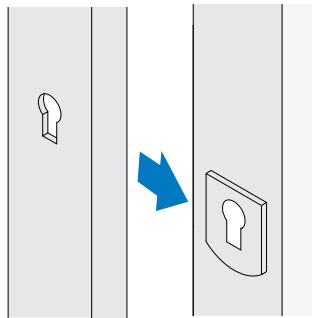


Assemble D53 Catch and close window to check.

OPTIONAL KEYED LOCK OPERATION

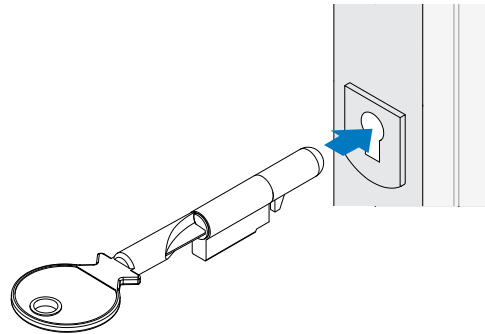


Insert Key into Lock Cylinder and turn to unlock.

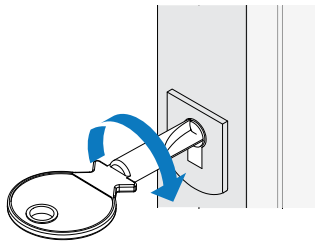


Sliding Frame Jamb

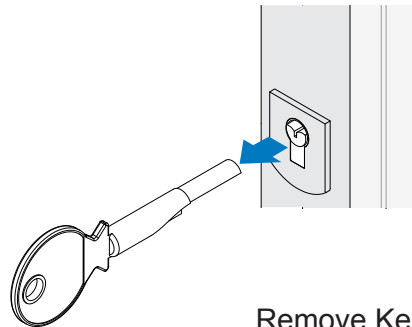
Align Sliding Frame and Jamb.



Insert Key and Cylinder.



Turn to locked position.



Remove Key.